

USER MANUAL

SHORT-CIRCUIT LOOP IMPEDANCE METERS

MZC-320S • MZC-330S



USER MANUAL

SHORT-CIRCUIT LOOP IMPEDANCE METERS MZC-320S • MZC-330S



**SONEL S.A.
Wokulskiego 11
58-100 Świdnica**

Version 1.04.1 26.11.2019

MZC-320S and MZC-330S meters are modern, easy in use and safe measuring devices. Please acquaint yourself with this manual in order to avoid measuring errors and prevent possible problems in operation of these meters.

TABLE OF CONTENTS



1	Safety	5
2	Graphical Display Panel (LCD)	7
3	Menu	9
3.1	Display Contrast Adjustment	9
3.2	Data Transmission via USB	9
3.3	Data Transmission via Bluetooth	9
3.4	Read-out and change of PIN code for Bluetooth connections	9
3.5	Display settings	10
3.6	Loop Measurement Settings	10
3.7	Language Selection	11
3.8	Advanced Functions	11
3.8.1	Expected Deviations of Results	11
3.8.2	Upgrading The Firmware	11
3.9	Information about the Manufacturer and the Software	12
4	Measurements	12
4.1	Conditions for Performing Tests and Obtaining Correct Results	13
4.2	Remembering the last measurement result	14
4.3	Measurement of alternating voltage	14
4.4	Measurement of fault loop parameters	15
4.4.1	Measurement of Network Voltage and Frequency	16
4.4.2	Measurement of Network Voltage and Frequency	16
4.4.3	Displaying All Measurement Results or the Main Result Only	16
4.4.4	Displaying the Measurement Results in Terms of Impedance or Short-Circuit Current	16
4.4.5	Measurement of Touch Voltage UST and Touch Shock Voltage UT	17
4.4.6	Selection of Test Cables Length (For Measurements Using Two-Pole Method)	19
4.4.7	Results Display	19
4.4.8	Measurement of Short-Circuit Loop Parameters Using Two-Pole Method	20
4.4.9	Measurement of Short-Circuit Loop Parameters Using Four-Pole Method	22
4.4.10	Measurement of Earthing Resistances	24
5	Saving the Measurement Results	26
5.1	Storing Measurement Results in the Memory	26
5.2	Memory browsing	27
5.3	Memory erasing	27
5.4	Communication with PC	28
5.4.1	Set of accessories to connect the meter to a PC	28
5.4.2	Data transmission through USB port	28
5.4.3	Data transmission using Bluetooth module	29
5.4.4	Read-out and change of PIN code for Bluetooth connections	29
6	Troubleshooting	30
6.1	Warnings and Information Displayed By the Meter	30
6.1.1	Exceeding the Measurement Range	30
6.1.2	Battery Status Display	30
6.2	Self-Test Error Messages	30
6.3	Before You Send the Device for Repairs	31
7	Power Supply of the Meter	31
7.1	Power Supply Voltage Monitoring	31
7.2	Charging battery	32



7.3	General principles for using Li-Ion rechargeable batteries	32
8	Cleaning and maintenance	33
9	Storage.....	33
10	Dismantling and disposal	33
11	Technical specifications	33
11.1	Basic data	33
11.2	Additional data	37
11.2.1	Additional uncertainties according to IEC 61557-3 (Z).....	37
12	Accessories.....	37
12.1	Standard accessories.....	37
12.2	Optional accessories.....	38
13	Manufacturer	38
14	Laboratory services.....	39

1 Safety

MZC-320S and MZC-330S meters are designed for performing check tests of protection against electric shock in mains systems. The meters are used for making measurements and providing results to determine safety of electrical installations. Therefore, in order to provide conditions for correct operation and accuracy of obtained results, the following recommendations must be observed:

- Before you proceed to operate the meter, acquaint yourself thoroughly with this manual and observe the safety regulations and specifications provided by the producer.
- Any application that differs from those specified in the manual may result in a damage to the device and constitute a source of danger for the user.
- MZC-320S and MZC-330S meters must be operated only by appropriately qualified personnel with relevant certificates authorizing the personnel to perform works on electric systems. Operating the meter by unauthorized personnel may result in damage to the device and constitute a source of danger for the user.
- Using this manual does not exclude the need to comply with occupational health and safety regulations and with other relevant fire regulations required during the performance of a particular type of work. Before starting the work with the device in special environments, e.g. potentially fire-risk/explosive environment, it is necessary to consult it with the person responsible for health and safety.
- It is unacceptable to operate:
 - ⇒ a damaged meter which is completely or partially out of order,
 - ⇒ a meter with damaged insulation,
 - ⇒ a meter stored for an excessive period of time in disadvantageous conditions (e.g. excessive humidity). If the meter has been transferred from a cool to a warm environment with a high level of relative humidity, do not start measurements until the meter is warmed up to the ambient temperature (approximately 30 minutes).
- One should remember that when the word **Bat!** appears on the display, it indicates insufficient voltage of power supply and the need to charge the battery. Measurements performed by means of the meter whose supply voltage is too low are burdened with additional errors that are impossible to be estimated by the user. Such measurements must not be relied on in order to state correctness of protection of a tested network.
- Before measurements may commence, make sure the leads are connected to the appropriate measurement sockets.
- Repairs may be performed only by an authorized service point.

Symbols and warnings	Description
NOTE or WARNING:	NOTE and WARNING messages in the following document indicate important information that should be read before using the meter.
	Triangle with an exclamation mark inside it, marked on the meter housing indicates that user must read important information in the user manual.
	The device is protected by double or reinforced insulation.

Symbols and warnings	Description
	<p>The device is CE certified and meets the necessary European requirements.</p>
<p>CAT IV 600 V </p>	<p>Measurement Category IV is applicable to test and measurement circuits connected to the source of low voltage power supply system of the building. It is expected that this part of the system will have at least one level of overcurrent protection between the transformer and the connection points of the measuring circuit.</p> <p>Due to the high short-circuit currents, which may be accompanied by a high level of energy, the measurements in these areas are extremely dangerous. Take all necessary precautions to avoid the risk of a short circuit.</p> <p>Examples include measurements on devices installed upstream the main fuse or circuit breaker of the building system.</p> <p>Grounding symbol at the end of the string of symbols reminds that the specified voltage is the voltage relative to the ground.</p>



WARNING

Only standard and additional accessories for a given device should be used, as listed in the "Equipment" section. Using other accessories may cause damage to measuring terminals and introduce additional measurement uncertainty.



- An attempt to install drivers in 64-bit Windows 8 and Windows 10 may result in displaying "Installation failed" message.
 - o Cause: Windows 8 and Windows 10 by default blocks drivers without a digital signature.
 - o Solution: Disable the driver signature enforcement in Windows.
- Due to continuous development of the meter's software, the actual appearance of the display, in case of some of the functions, may slightly differ from the display presented in this operating manual.

2 Graphical Display Panel (LCD)

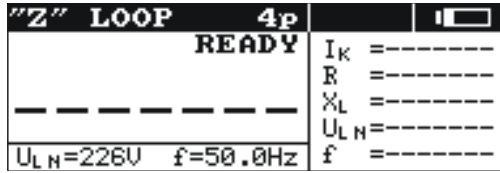


Fig. 1 Screen appearance after switching the meter on (loop impedance measurement – all results)

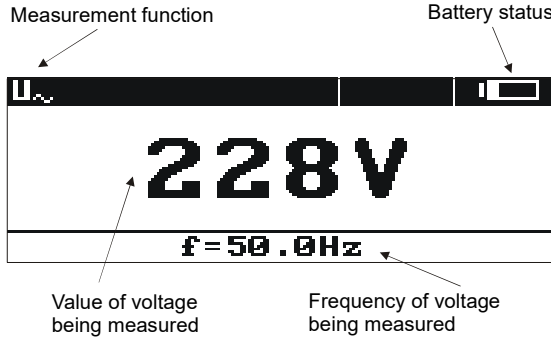


Fig. 2 Screen layout in alternating voltage measurement mode

Bank and cell number (in store-in-memory mode) or the text "READY" advising about the capability to make the measurement or the temperature excess symbol

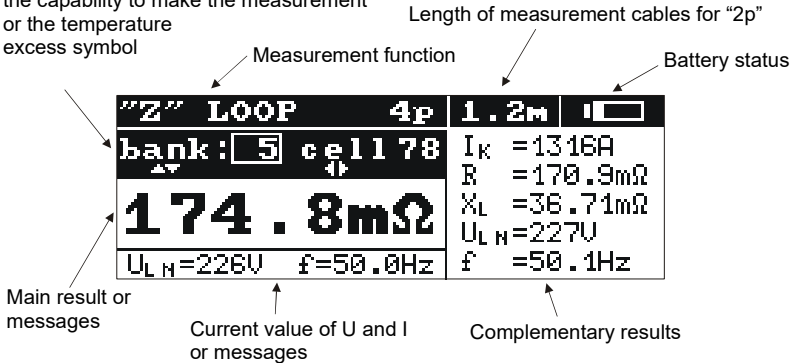


Fig. 3 Screen layout in short-circuit loop impedance measurement mode (all results)

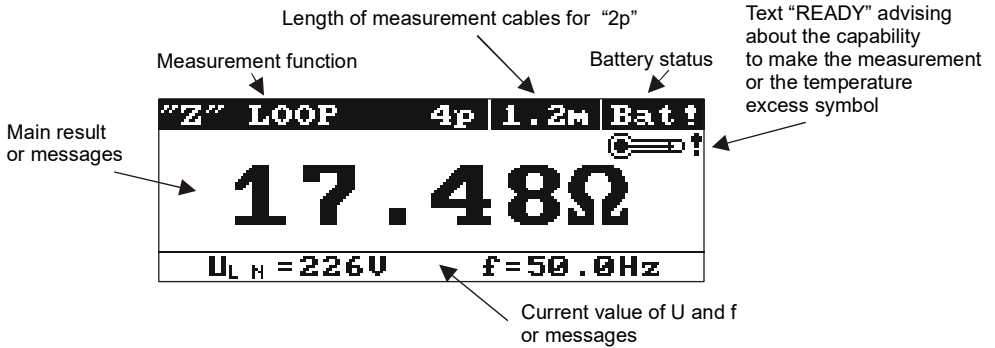


Fig. 4 Screen layout in short-circuit loop impedance measurement mode (main result only)

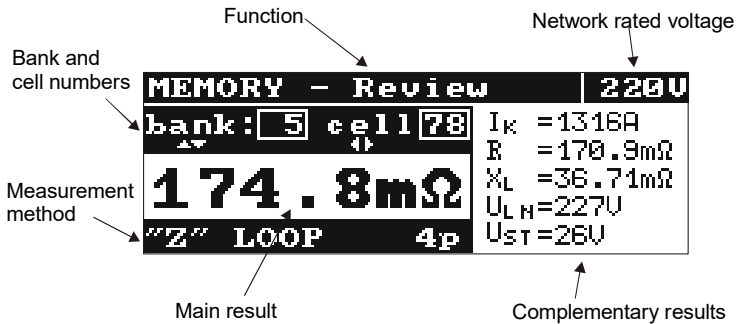


Fig. 5 Screen layout in the memory browse mode

3 Menu

The menu is available in any position of the rotary switch with the exception of **MEM**. You can enter the menu by pressing the **MENU** key. This will give you an access to the following functions:

- adjustment of the display contrast (0...100%),
- data transmission via USB or Bluetooth,
- selecting the parameters to be displayed,
- setting the parameters of a loop impedance measurement ,
- language selection,
- checking the network stability and upgrading the software – advanced functions,
- obtaining basic information about the manufacturer and about the software version.

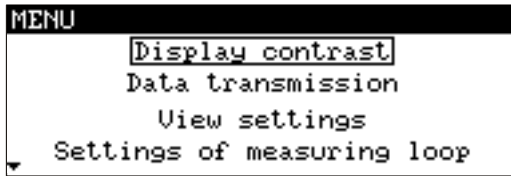


Fig. 6 Menu

3.1 Display Contrast Adjustment

- Press the key **MENU** and **ENTER**.
- Using keys ◀ and ▶ set the required contrast.
- Press **ENTER** to confirm.
- In order to quit this option, press the key **ESC**.

3.2 Data Transmission via USB

In order to transfer data between the meter and a PC via USB, you need to:

- connect the meter to a PC (see Paragraph 5.4.2),
- from the **MENU** select the **Data transmission** and **USB transmission**,
- start on the PC **Sonel Reader** software.

3.3 Data Transmission via Bluetooth

In order to transfer data between the meter and a PC via Bluetooth, you need to:

- establish the connection between the meter and a PC (see Paragraph 5.4.3),
- from the **MENU** select the **Data transmission** and **Bluetooth transmission**,
- start on the PC **Sonel Reader** software.

3.4 Read-out and change of PIN code for Bluetooth connections

- From the **MENU** select the **Data transmission** and **Bluetooth – set PIN code** option,
- use the keys ◀ and ▶ to select the digit, use the keys ▲ and ▼ to select its value,
- press **ENTER** to confirm.

3.5 Display settings

In this submenu the displaying of the following parameters can be selected:

- displaying the results: all of them or $Z_s(I_k)$ only,
- displaying the main result in terms of Z_s or I_k .

To select parameters use the keys \blacktriangle and \blacktriangledown . To select values use the keys \blacktriangleleft and \blacktriangleright . In order to confirm changes to the settings, select **Save?** and the select **YES** and press the key **ENTER**.



Fig. 7 Display settings

3.6 Loop Measurement Settings

In this submenu the following parameters can be set:

- network rated voltage U_n (110/190 V, 115/200 V, 127/220 V, 220/380 V, 230/400 V, 240/415 V, 290/500 V i 400/690 V (only MZC-330S)),
- length of cables in the measurement of short-circuit loop parameters using a two-pole method (2p),
- measurement of touch voltage U_{ST} or touch shock voltage U_T (and their displaying instead of frequency in the column of auxiliary results).

The selection is made as described in section 3.5.

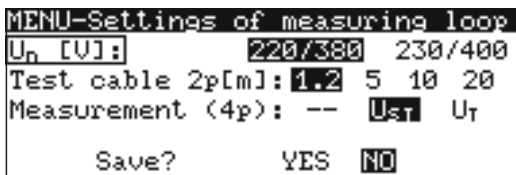


Fig. 6 Loop measurement settings

When selecting the nominal voltage, with the **ENTER** key a drop-down menu will appear, in which the selection is made with the \blacktriangle and \blacktriangledown keys.

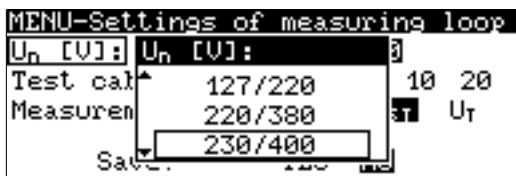


Fig. 6 Mains nominal voltage selection

3.7 Language Selection

Submenu **Language**, enables the user to select a language that the device will use to display all text.

3.8 Advanced Functions

3.8.1 Expected Deviations of Results

If the result of the short-circuit loop impedance measurement diverges from an anticipated value or there is no consistency of results within a series of measurements made, you may use the function **Expected Deviations**. This function can be used to assess errors of loop impedance measurements resulting from the voltage instability at a given measurement point (thus independent of the device parameters). The device (set and connected to the network as for the measurements of short-circuit loop impedance – 2p or 4p) performs the analysis and on its basis it computes the errors values that might additionally burden short-circuit loop impedance measurements.



The function applies to the most recent measurement result only and does not apply to Alternating voltage measurement.

After entering this option a short message describing its functionality and a recommendation to get familiarized with this instruction is displayed. After electing **YES** and pressing the key **ENTER**, a picture shown on Fig. 10 (for the 4p method) is displayed.

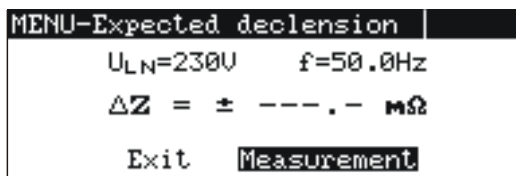


Fig. 10 Estimation of short circuit loop impedance measurement errors due to mains voltage instability

At the top of the screen the values of the currently tested network voltage and frequency are displayed. Underneath the calculated estimate of the error for the measurement method to which the meter is presently set is presented.

In order to start the measurement, select **Measurement** and press the key **ENTER**. The message **Wait, the measurement is going on** and a progress bar will be displayed. When the measurement is completed, the result will be shown (on the picture – instead of horizontal lines). By pressing the key **ENTER** again another measurement will be initiated.

To quit this option, select **Exit** and then press the key **ENTER**. You can also use the key **ESC**.

3.8.2 Upgrading The Firmware

It is possible to upgrade the built-in firmware without a need to send the meter to a service agent. In the case the software upgrade is needed:

- download the firmware from the manufacturer's web site (www.sonel.pl),
- connect the meter to the PC,
- on the device menu select the function **Software upgrade** and confirm that you have read the information displayed,
- install and then launch the software on the PC,

- select the port in the program, activate the option „Connection test” and then start the option „Programming”,
- follow the instructions displayed by the software.



NOTE!

Charge the batteries before programming. The user must not turn off the meter nor disconnect the communications cables during the procedure.



During the programming operation the keyboard (except for key ON/OFF) is inoperative. In this function the meter does not switch off automatically.

3.9 Information about the Manufacturer and the Software

By activating this submenu, the user may obtain the basic information about the meter manufacturer and the software version.

4 Measurements



WARNING

- **During measurements, the earthed parts and parts accessible in the electrical installation being tested must not be touched.**
- **During a measurement, switching of the range switch is forbidden because it may damage the meter and pose a threat to the user.**
- **Connecting unsuitable or faulty cables can cause an electrical shock.**



NOTE!

MZC-320S and MZC-330S meters are designed to operate at rated phase and inter-phase voltages of 110/190 V, 115/200 V, 127/220 V, 220/380 V, 230/400 V, 240/415 V, 290/500 V, 400/690 V (only MZC-330S).



Applying voltages higher than 550 V for MZC-320S or 750 V for MZC-330S to any of the test terminals can damage the device.



- The manufacturer guarantees correct readings only if the original leads supplied with the device are used and if the correct length (for 2p method) has been selected in the MENU. Extension leads or third party cables can be a source of additional errors.
- Symbol “CAT III 1000 V” shown on accessories is equivalent to the symbol “CAT IV 600 V”.

4.1 Conditions for Performing Tests and Obtaining Correct Results

To start a test sequence a number of conditions have to be fulfilled. The device will automatically prevent a test from commencing (except for voltage measurement) if any of the conditions listed below is not satisfied:

Situation	Displayed symbols and warning signals	Remarks
The voltage applied to meter's terminals exceeds 550 V (750 V for MZC-330S).	Text: U > 550V! (U > 750V! for MZC-330S) and a continuous beep produced.	Immediately disconnect the meter from the tested installation!
The voltage frequency in the installation is outside of the range 45 Hz..65 Hz.	Texts: Error! and: f<45Hz or f>65Hz Two long beeps.	The text appears and a sound signal is produced when the key START is pressed.
The voltage applied to meter's terminals is too low to measure the impedance.	Texts: Error! and: U.<95V Two long beeps.	The text appears and a sound signal is produced when the key START is pressed.
Improperly connected cable I1: in 4p method to socket I1 2p or in 2p method to socket I1 4p.	Texts: Cables connected improperly! and: Terminal I1 (2p)! or Terminal I1 (4p)! Two long beeps.	The text appears and a sound signal is produced when the key START is pressed.
Cables I1 or I2 are not connected (in the 4p method).	Text: No voltage on terminals I1, I2! Two long beeps.	The text appears and a sound signal is produced when the key START .
In the 4 p method, cables U or I swapped, or connected to different phases.	Text: Different voltage phases on terminals U and I! Two long beeps.	The text appears and a sound signal is produced when the key START is pressed.
Improperly connected cable U _B with the set option of touch voltage measurement.	Texts: Incorrectly connected cable! and: Terminal U_B! Two long beeps	The text appears and a sound signal is produced when the key START is pressed.
While measuring the loop impedance a voltage drop below U _{min} took place.	Text: Voltage failure while measuring! Two long beeps.	
While measuring the loop impedance a situation preventing completion of the measurement occurred.	Text: Error while measuring! Two long beeps.	
While measuring the loop impedance the fuse was burnt or another emergency situation in the current circuit occurred.	Text: Short circuit loop faulty! Two long beeps.	
Thermal protection prevents the measurement.	Displayed symbol  Long beep.	A sound signal is produced when the key START is pressed
Exceeded measurement range.	Inscription: OFL Two long beeps.	
Discharged battery.	Displayed symbol  Two long beeps.	Making the measurements is still possible, however, the user should take into account some additional errors.



Displayed warnings stay on the screen for 3 seconds.

4.2 Remembering the last measurement result

The result of the latest measurement is remembered by the meter until a next measurement is started or measurement settings are changed or the measuring function is changed by means of the rotary switch. When you go to the voltage measurement screen with the **ESC** button, you can recall this result by pressing **ENTER**. Use the same button to recall the last result after powering the meter off and on (if the position of function selector has not been changed).

4.3 Measurement of alternating voltage



NOTE!

Applying voltage in excess of 550 V (750 V for MZC-330S) to any of the test terminals may damage the device.

To measure alternating voltage:

- Connect the test cables to sockets: **U₁** and **U₂** (Fig. 11)
- Set the rotary switch to position **U_~**

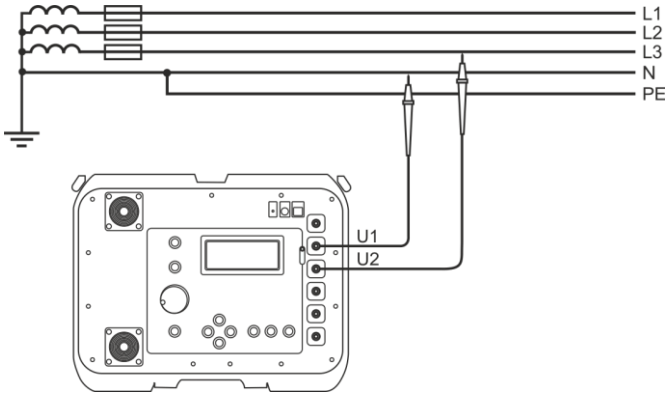


Fig. 11 Alternating voltage measurement

The measurement result is displayed as shown on Fig. 12:

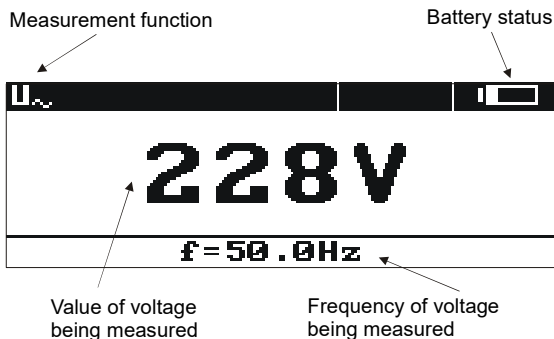


Fig. 12 Alternating voltage measurement – result

The instrument measures alternating voltage with the frequency between 45Hz and 65Hz as True RMS without separating a possible constant component. Voltage with the frequency lower than 45Hz is measured as direct voltage. If the frequency of the run being measured is not included within the specified limits, instead of its value an appropriate message is displayed: **f<45Hz** or **f>65Hz**.

4.4 Measurement of fault loop parameters



WARNING

- **You must not leave disconnected leads while some of them remains connected to the tested installation.**
- **You must not leave the device unattended while it is connected to the tested installation.**
- **You must not touch appliances connected to the tested installation.**



NOTE!

- If the tested installation includes RCD circuit breakers, you should bridge them for the duration of the test. You should keep in mind however that doing so you modify the tested circuit and consequently the results can marginally differ from the expected results.
- Remember to remove any modifications of the installations that were introduced and check the functioning of the RCD circuit breakers.
- Attention should be paid to the correct selection of test terminals since the precision of the measurements being performed depends upon the quality of connections made. They have to provide a good contact and allow for undisturbed flow of high current measured. For instance, it is unacceptable to clip the crocodile connectors onto oxidized or corroded points – they have to be either cleaned beforehand, or the test needle tip probe should be used for measurements.



- Measurements of fault loop impedance performed downstream of inverters are ineffective and their results are unreliable. This is due to the instability of internal impedance in inverter circuits during its operation. The measurements of fault loop impedance should not be performed directly downstream of inverters.
- Performing a large number of consecutive measurements in short intervals can cause the resistor limiting the current flowing through the device to produce large amounts of heat which in turn can cause the device's housing to become hot. This is quite normal. The device has a built-in overheating protection.
- During measurements with a current of an order of 300 A, the instrument, if necessary, activates a fan that reduces the instrument cool-down time.
- The minimum time interval between successive measurements is 5 seconds. The text „READY” displayed on the screen informs the user that the device is ready to perform the measurement.

4.4.1 Measurement of Network Voltage and Frequency

In the short-circuit loop parameters measurement (2p or 4p) mode, the instrument constantly monitors the network voltage and frequency in the way described in section 4.3. Their values are displayed at the bottom of the screen. Index attached to the voltage U symbol informs the user whether the phase voltage - U_{LN} , or the inter-phase voltage - U_{LL} is measured, or whether the voltage value exceeds the ranges shown in Fig. 16 - U_{\sim} . The same rules to determine the voltage type apply to the voltage measured while measuring the short-circuit loop impedance.

4.4.2 Measurement of Network Voltage and Frequency

The rated voltage is used to compute the short-circuit voltage value. In order to set the voltage rated value do the following:

- press down the key **MENU**,
- select **Loop measurement settings**
- in the item **$U_n[V]$** select and store the rated voltage value (see section 3.6).

4.4.3 Displaying All Measurement Results or the Main Result Only

In order to choose between displaying all measurement results or the main result only (Z_s or I_k) you need to:

- press the key **MENU**,
- select **Display settings**,
- in the item **Results** select and store the option required (see section 3.6).

4.4.4 Displaying the Measurement Results in Terms of Impedance or Short-Circuit Current

The main result of the measurement can be displayed as a short-circuit loop impedance or a short-circuit current. If the impedance has been selected, the first of the auxiliary results will be the current, otherwise it will be the impedance. To select the value to be displayed you need to:

- press the key **MENU**,
- select **Display settings**,
- in the **Main result** option select and save the value type to be displayed (see section 3.6).

The device always measures impedance, and the short-circuit current displayed is calculated from the formula:

$$I_k = \frac{U_n}{Z_s}$$

where: U_n – rated voltage of the network being tested, Z_s – impedance measured.

The meter automatically recognizes the measurement for line voltage and takes it into account in calculations.

In a case when the installation voltage is outside of tolerance, the meter will not be able to determine the rated voltage for the short-circuit current calculation. In such event the display will show horizontal dashes instead of the short-circuit current value. Figure below shows voltage ranges for which the short-circuit current is calculated.

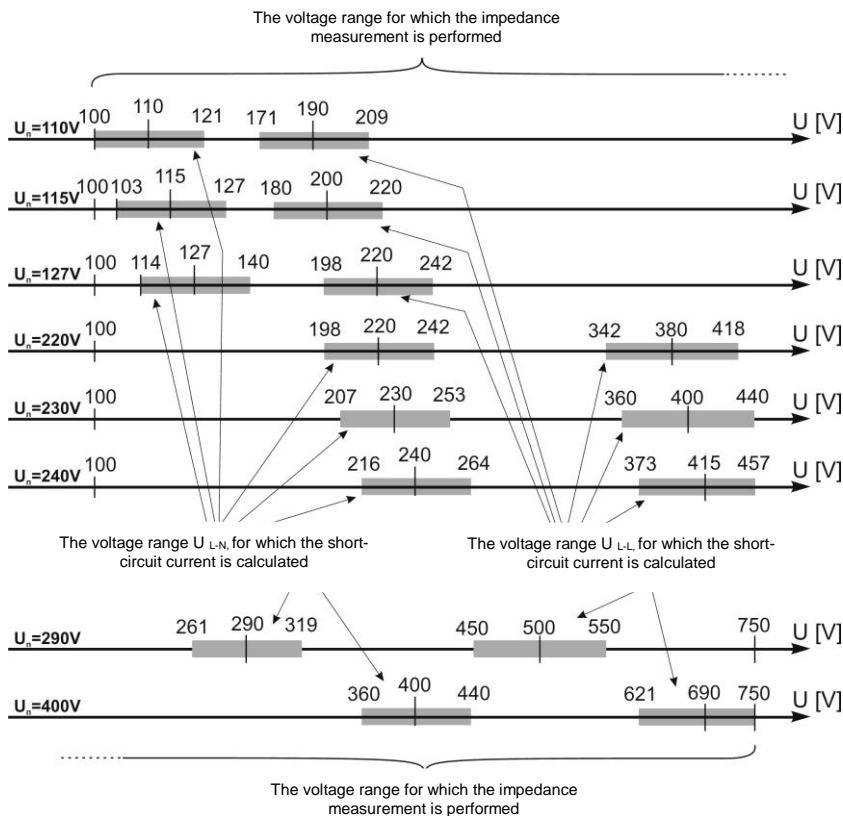


Fig. 13 Relationship between the network voltage and the ability to calculate the short-circuit current

Further in this document the term „impedance measurement” will refer to performing the measurement and displaying the result in terms of current or impedance.

4.4.5 Measurement of Touch Voltage U_{ST} and Touch Shock Voltage U_T

Note:

Touch shock voltage U_T as measured by the meter applies to the network rated voltage for which the measurement was made. For other rated voltages the result displayed should be converted.

In order to measure touch voltage U_{ST} or touch shock voltage U_T you need to:

- press the key **MENU**,
- select **Loop parameters settings**,
- in the item **Measurement (4p)**, select **U_{ST}** or **U_T** and save the selection (see section 3.6),
- connect test leads according to Fig. 14 or Fig. 15:

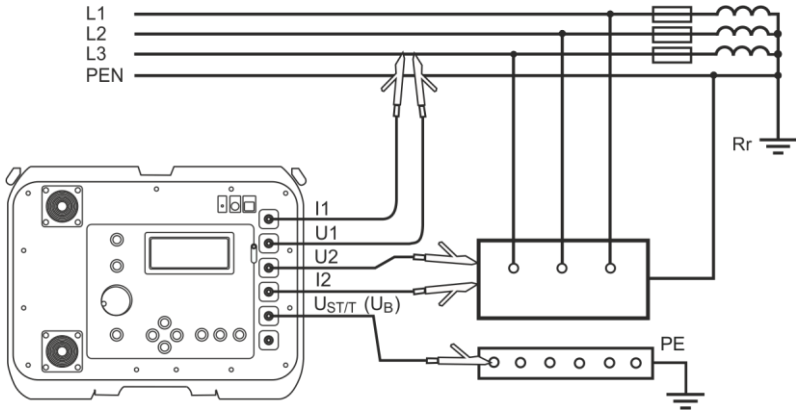


Fig. 14 Measurement of touch voltage U_{ST}

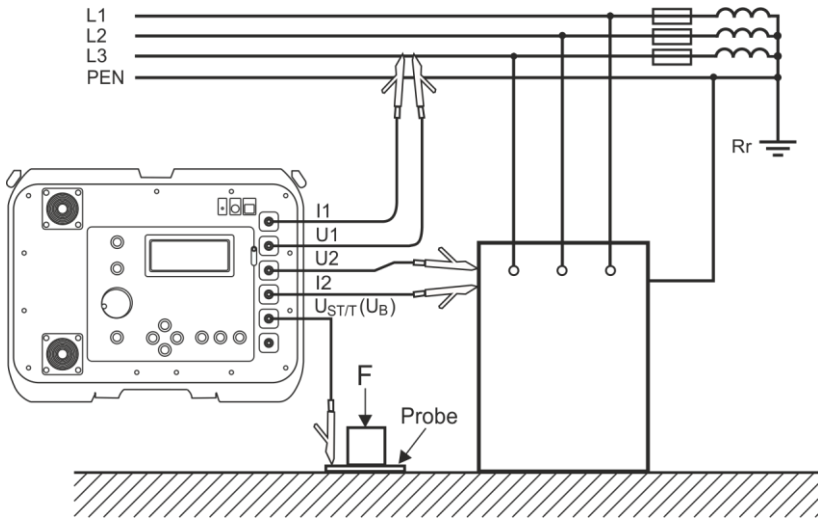


Fig. 15 Measurement of shock voltage U_T



If touch voltage is not measured, the user should, in MENU item „Measurement (4p)”, select and save the „- -” option. Otherwise the displayed values will not be correct since they can induce interfering voltages in unconnected socket $U_{ST/T} (U_B)$.

The value of touch voltage U_{ST} (or touch shock voltage U_T), being the value referred to the anticipated short-circuit current calculated from the formula as presented in section 4.4.4., is displayed instead of frequency in the auxiliary results field (Fig. 5).

The measurement of touch shock voltage U_T is performed after introducing an additional resistor (inside the device) of 1 k Ω between the terminals U_2 and $U_{ST/T} (U_B)$. The resistor simulates resistance of the human body, while the terminal $U_{ST/T} (U_B)$ is to be connected to the probe that simulates human feet located on the ground (Fig. 15), whose properties and load are described by relevant standards.

4.4.6 Selection of Test Cables Length (For Measurements Using Two-Pole Method)

Before starting a measurement, a correct length of test leads should be selected.



NOTE!

Using the proper test leads and the correct length selection guarantees that the declared accuracy of measurements will be maintained.



- It is assumed that only one test lead has the length selected in the MENU. The other one is always 1.2 m in length.
- Non-compliance with this assumption will cause additional measurement errors (test leads resistance is always taken into account by the device).

In order to select the length of cables, you need to:

- press the key **MENU**,
- select **Loop measurement parameters**,
- in the item **2p lead [m]**, select and save an appropriate value (see section 3.6).

4.4.7 Results Display

If display of all results was selected, the short-circuit impedance Z_S or expected short-circuit current I_K is shown as the main result. On the right hand side of the screen the measurement components are displayed:

- short-circuit current I_K or Z_S ,
- resistance R ,
- reactance X_L ,

as well as:

- mains voltage at the time of the measurement (U_{LN} , U_{LL} , U_{LPE} or U_{-}),
- frequency at the time of the touch (shock voltage) measurement.

An example of a display after a short-circuit loop measurement was performed is shown in Fig. 16.

"Z" LOOP 4p	🔋
174.8mΩ	$I_K = 1316A$
	$R = 170.9mΩ$
	$X_L = 36.71mΩ$
	$U_{LN} = 227V$
$U_{LN} = 226V$ $f = 50.0Hz$	$f = 50.1Hz$

Fig. 16 Displaying the results of short-circuit loop parameters measurement

If displaying of the main result only has been selected, the layout of the screen is as shown on Fig. 4.

4.4.8 Measurement of Short-Circuit Loop Parameters Using Two-Pole Method

This is a measurement involving a current with a value of up to 30 A (MZC-320S) or up to 40 A (MZC-330S). To make the measurement you need to:

- connect the test leads to the sockets: I_1 (**2p**) and I_2 (Fig. 17-20),
- set the rotary switch to the position **2p**,
- press the key **START**.

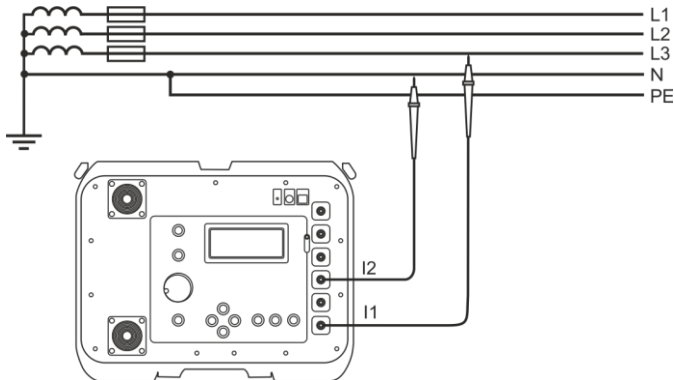


Fig. 17 Measurement of impedance in working circuit (L-N) using two-pole method

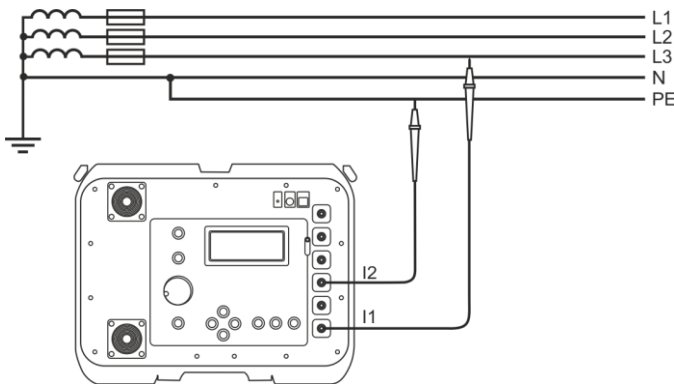


Fig. 18 Measurement of impedance in protective circuit (L-PE) using two-pole method

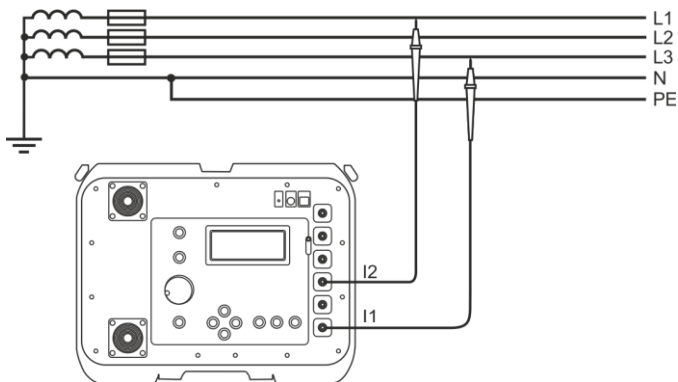
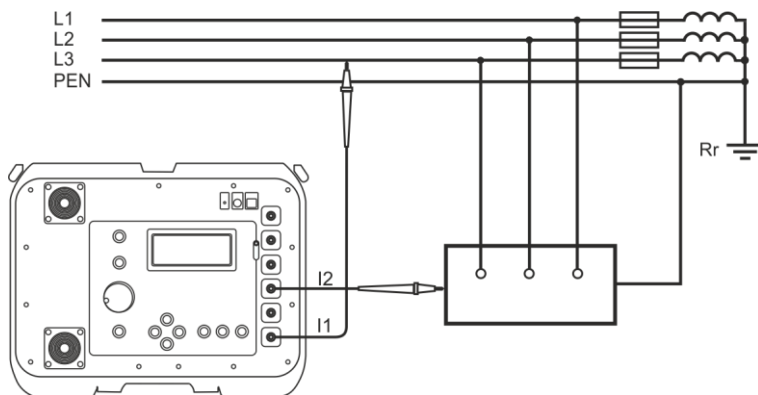


Fig. 19 Measurement of impedance in working circuit (L-L) using two-pole method

a)



b)

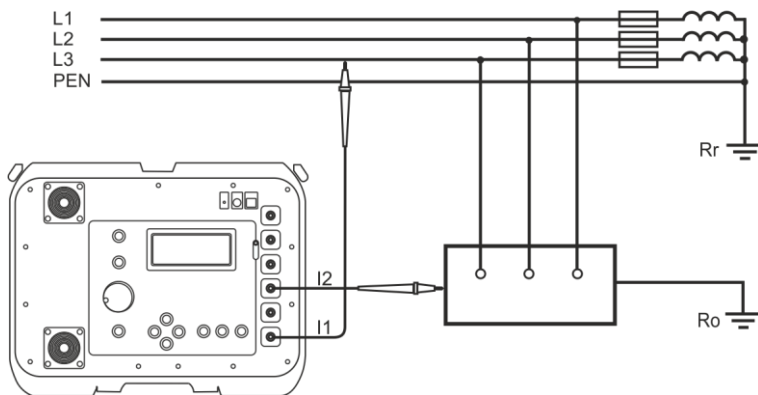


Fig. 20 Verification of anti-shock protection reliability of appliance's housing using two-pole method for: a) TN networks b) TT networks

4.4.9 Measurement of Short-Circuit Loop Parameters Using Four-Pole Method



WARNING

Use caution when operating the device as hot air that can be expelled by the built-in fan.

This is a measurement involving the current with a value of up to 300 A (1.5 Ω short-circuit resistor, 2 Ω measurement range). It is specifically designed for circuits with very low short-circuit loop impedance. To make the measurement you need to:

- connect the test leads in the following way (Fig. 21-24):
 - current leads to sockets: **I₁ (4p)** and **I₂**,
 - voltage leads to sockets: **U₁** and **U₂**,
- set the rotary switch to the position **4p (I_{max} = 300A)**,
- press the key **START**.

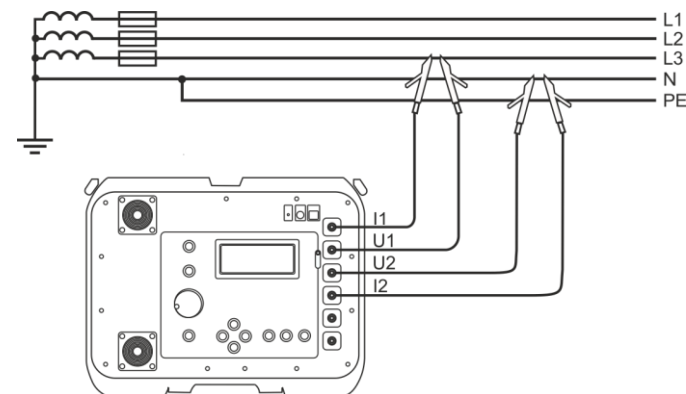


Fig. 21 Measurement of impedance in working circuit (L-N) using four-pole method

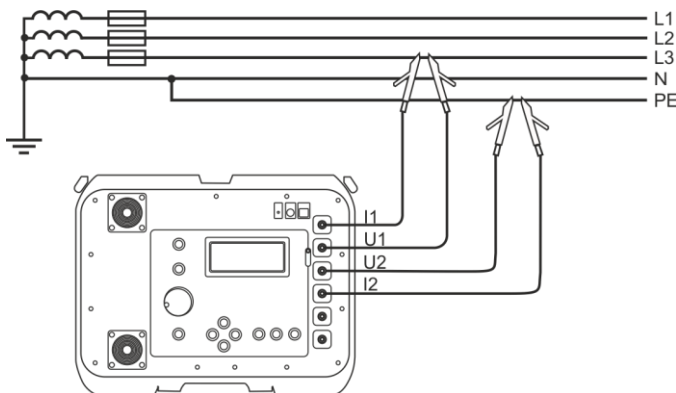


Fig. 22 Measurement of impedance in protective circuit (L-PE) using four-pole method

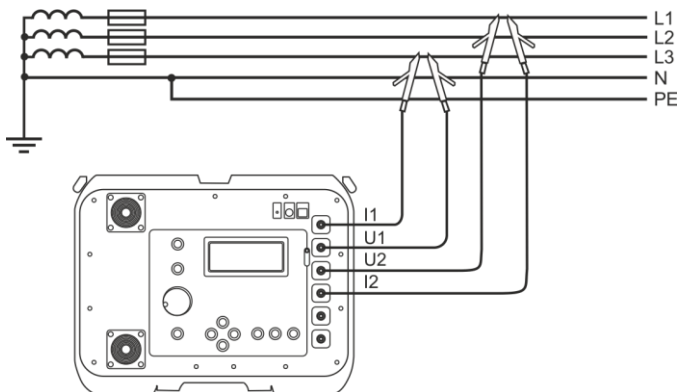


Fig. 23 Measurement of impedance in working circuit (L-L) using four-pole method

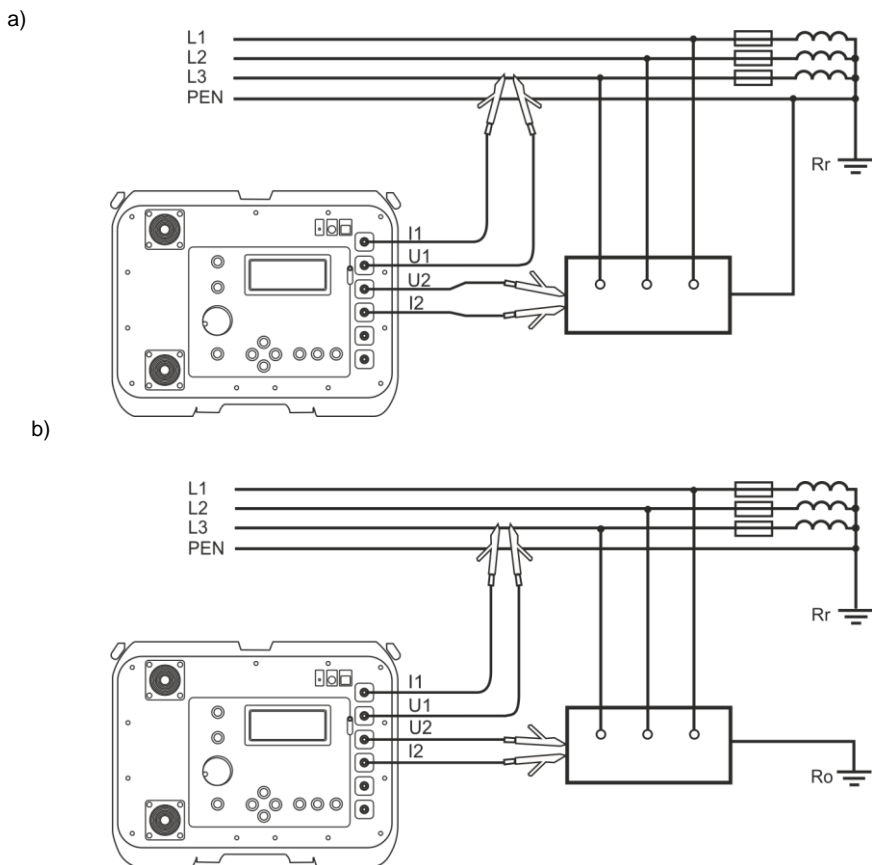


Fig. 24 Verification of the anti-shock protection reliability of appliance's housing using four-pole method for: a) TN networks b) TT networks

4.4.10 Measurement of Earthing Resistances

MZC-320S and MZC-330S meters can be used for rough measurements of earthing impedance and resistance. To do this, use the installation phase cable as an auxiliary voltage source – see Fig. 25.

The measurement result is the sum of resistances of the earth electrode, working grounding, source and phase cable, thus it is burdened with a positive error. However, if it does not exceed the value allowable for the grounding being tested, the user may accept that the grounding has been made correctly and that there is no need to use more accurate measurement methods.

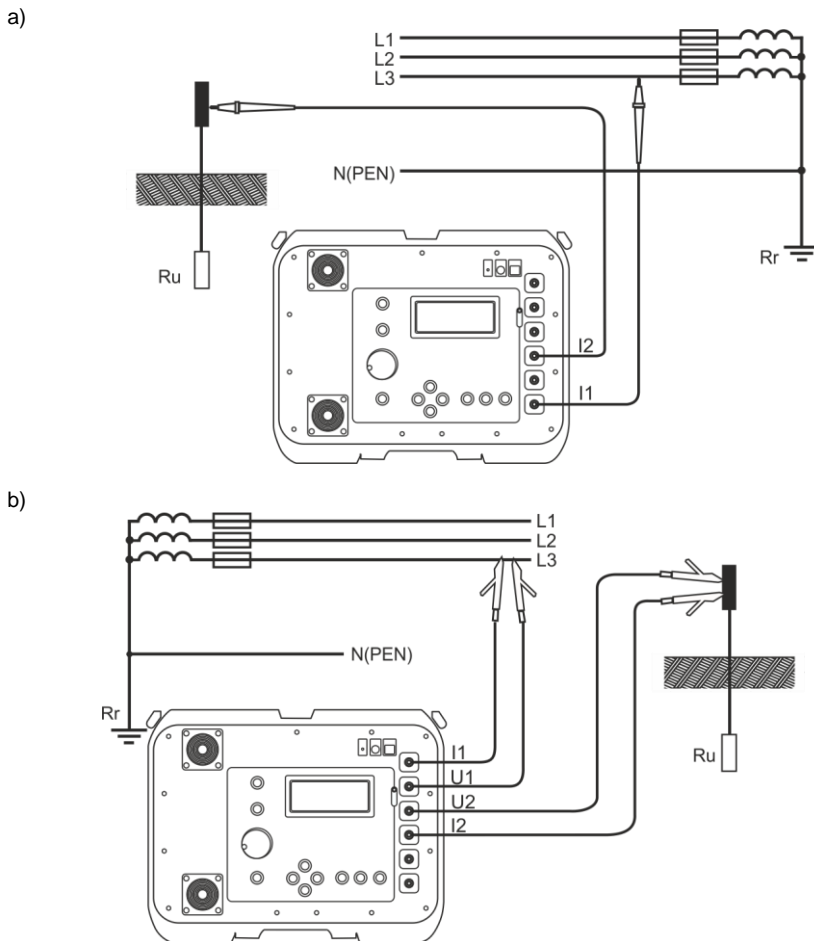


Fig. 25 Method of connecting MZC-320S (MZC-330S) when measuring the grounding resistance for TN-C, TN-S and TT : a) using two-pole method b) using four-pole method

During earth resistance measurement it is necessary to familiarize with existing scheme of earth systems. To receive correct results, earth system should be disconnected from the network (N and PE cables). To measure earthing system in TN-C-S system and simultaneously to use the phase as the current source it is necessary to disconnect PE and N cable from measured earthing system (Fig. 26),

otherwise the meter will measure an incorrect value (test current will flow not only through the grounding system).

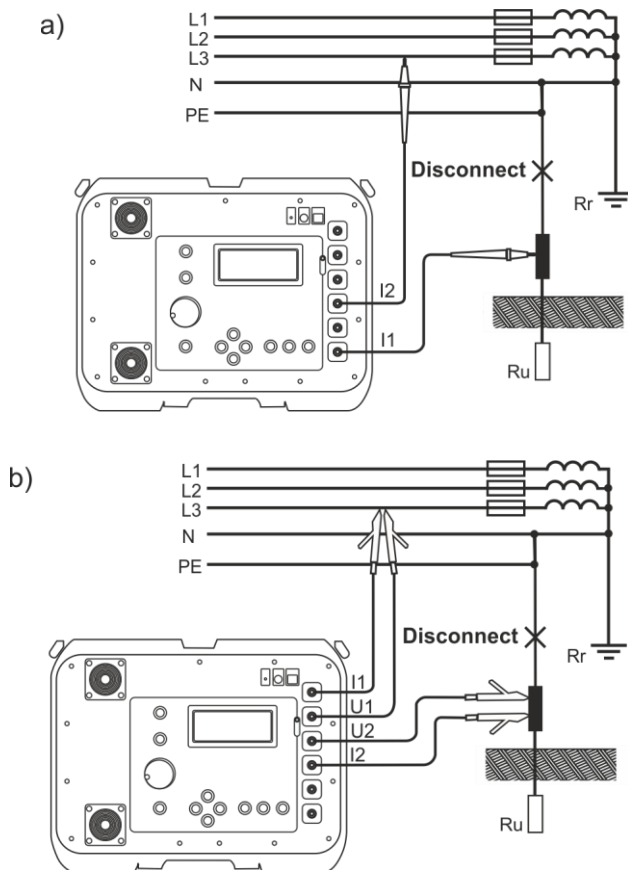


Fig. 26 MZC-320S and MZC-330S connection diagram to be used when measuring the earth resistance for TN-C-S a) using two-pole method b) using four-pole method



WARNING

Disconnection of neutral and protective cables (N and PE) is dangerous for persons performing measurement and outside persons. It is obligatory to connect protective and neutral cables to the network immediately after measurements!

If disconnection is not possible one needs to use the meter from MRU family.

5 Saving the Measurement Results

MZC-320S and MZC-330S devices have a built-in memory for storing up to 990 results of short-circuit loop parameters. A location in the memory where a single result is stored is called a memory cell. The whole memory is divided into 10 banks, each consisting of 99 cells. Every result can be stored in a cell with a specific address and in a selected bank. In this way the user can allocate the cell numbers to individual measuring points and the bank number to particular objects, make measurements in any sequence and repeat them without losing the other data.

The results storage is not erased when the meter is switched off. The data can be therefore retrieved at a later time or transferred to a computer. The address of the current cell or bank number does not change either.

It is recommended to erase the memory after the data has been read or before making a new series of measurements that can be stored to the same cells as the previous ones.

5.1 Storing Measurement Results in the Memory

Only the results of measurements made with the rotary switch set to the position **2p** or **4p** may be stored in the memory. To do this, follow the steps below:

- Press the key **ENTER**. The currently used bank number and the address of the currently used cell will be displayed on the screen (Fig. 27). The border around the bank number means that at least one cell in the bank is occupied. The border around the cell number means that the cell is occupied.

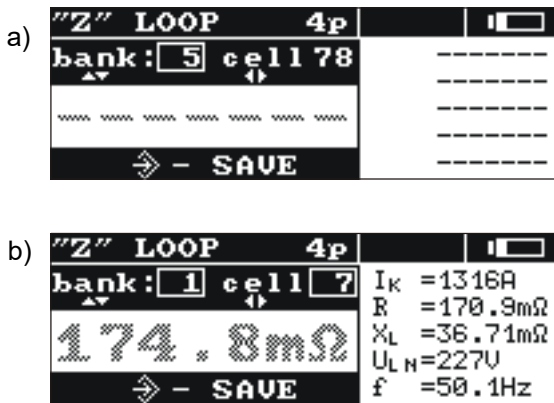


Fig. 27 The layout of the screen in the store-in-memory mode: a) empty cell b) cell with the recorded result (the main result is displayed in grey)

- Using the keys \blacktriangle and \blacktriangledown select the bank number and using the keys \blacktriangleleft and \blacktriangleright select the cell number or keep the current numbers (recommended if the bank has been erased before the measurements),
- press the key **ENTER** again.

The main result and its components as well as the values of network voltage, frequency at the time of making the measurement and the network rated voltage, will be stored in the memory.

An attempt to make an entry to the occupied cell will result in a warning signal, instead of the main result, displayed on the screen: **Cell occupied! Overwrite?** Pressing the key **ENTER** will cause the new result to be saved and the previous one will be lost. In order to cancel the entry and to select another free cell, the user should press the key **ESC**.

Successful memory entry is signalled with the symbol \Rightarrow displayed on the screen and three short beeps are produced.

While filling the last cell in the given bank, instead of displaying the symbol \Rightarrow , the screen will show a text: **Last cell in the bank!**

5.2 Memory browsing

In order to view the measurement results stored in the memory, the user should set the rotary switch to the position **MEM**. Choose **Review** from the menu. The screen will display the contents of the recently filled cell.

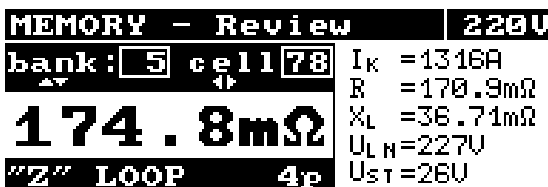


Fig. 28 Memory browsing

Using the keys \blacktriangle and \blacktriangledown the user can select the bank number he/she wishes to review, and using the keys \blacktriangleleft and \blacktriangleright the cell number. If the cell is not filled, horizontal lines will be displayed instead of the memory cell contents.

5.3 Memory erasing

You can erase the whole memory, individual banks or single cells. In order to delete a cell you need to:

- set the rotary switch to the **MEM** position,
- select **Delete cell**,
- using keys \blacktriangle and \blacktriangledown choose the bank number and using keys \blacktriangleleft and \blacktriangleright the cell number you want to delete,

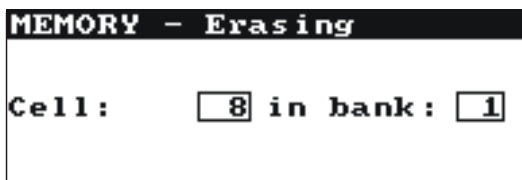


Fig. 29 Deleting a memory cell: 1 – bank No, 8 – cell No, – bank with at least one cell used, – a cell in use

- press the key **ENTER**, the screen will display a prompt asking if you want to erase the cell,
- after selecting the **YES** option, press the key **ENTER**, the screen will display a message: **Deletion of the selected cell** as well as a progress bar. When deletion is completed a message will be displayed: **Cell deleted!** and the meter will produce three short beeps.

In order to delete an entire bank you need to:

- set the rotary switch to the **MEM** position,
- select **Bank deletion**,
- using the keys \blacktriangle and \blacktriangledown select the bank number,

- press the key **ENTER**, the screen will display a prompt asking if you want to erase the entire bank,
- after selecting the **YES** option, press the key **ENTER**; the screen will display a message: **Deletion of the whole bank** and a progress bar. When deletion is completed, a message will be displayed: **Bank deleted!** and the meter will produce three short beeps.

In order to delete the whole memory you need to:

- set the rotary switch to the **MEM** position,
- select **Memory deletion** from the menu,
- press the key **ENTER**, the screen will display a prompt asking whether you want to erase the whole memory,
- after selecting **YES**, press the key **ENTER**; the screen will display a message: **Deletion of the whole memory** and a progress bar. When deletion is completed, a message will be displayed: **Whole memory deleted!** and the meter will produce three short beeps.

In order to cancel the deletion, press the key **ESC**.

5.4 Communication with PC

5.4.1 Set of accessories to connect the meter to a PC

In order to interface the meter with a computer an optional communications kit is required: a serial cable or Bluetooth module and appropriate software. If the software package has not been ordered together with the meter, it can be purchased from the manufacturer or from an authorized distributor.

The software package can be used to communicate with a range of instruments manufactured by SONEL S.A. that are equipped with an USB connection.

Detailed information about the software is available from the manufacturer and the distributors.

5.4.2 Data transmission through USB port

- Connect the communications cable to a serial port (USB) of the computer and to the USB socket of the meter.
- From the **MENU** start the data transmission mode (see Section 3.2).
- Start the software.
- Follow the instructions displayed by the program.

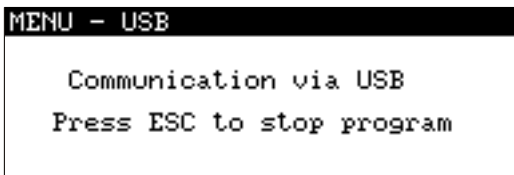


Fig. 30 Screen of communication via USB

5.4.3 Data transmission using Bluetooth module

- Activate Bluetooth on your PC (if it is an external module, it must be connected to the computer before). Follow the instructions of the module.
- Turn on the meter and in **MENU** select the position **Bluetooth transmission**.
- On a PC enter Bluetooth connectivity mode, select MZC-320S or MZC-330S device and establish the connection.



Fig. 31 Screen of communication via Bluetooth

- Start the software to read /save data (e.g., Sonel Reader, Sonel PE) and proceed in accordance with its instructions.

5.4.4 Read-out and change of PIN code for Bluetooth connections

- In **MENU** select position: **Bluetooth – set PIN**,
- using keys ◀ and ▶ move to the next digit, using keys ▲ and ▼ change its value.



Standard PIN code for Bluetooth transmission is "0000".

6 Troubleshooting

6.1 Warnings and Information Displayed By the Meter

MZC-320S and MZC-330S devices display warnings that can be related to either its functioning or to external conditions affecting the measurement processes.

6.1.1 Exceeding the Measurement Range

Text displayed	Audible signal	Reason	Action
U > 550V! or U > 750V! (MZC-330S)	Continuous	Voltage measured exceeds 550 V (750 V for MZC-330S)	Immediately disconnect the meter from the network!
OFL	Two long beeps	Short-circuit loop resistance exceeds 2 Ω (4p)	
OFL	Two long beeps	Short-circuit loop resistance exceeds 200 Ω (2p)	

6.1.2 Battery Status Display

Text displayed	Reason	Action
Bat !	Battery is discharged.	Charge the battery.

6.2 Self-Test Error Messages

If, as a result of the self-test, the instrument detects an error, it stops the normal operation and displays an error message. The following messages can appear:

- **Internal error**
- **Damaged FLASH kernel!**
- **Damaged calibration data**

The message that appears may be caused by a momentary interference or an external factor. You should therefore switch the device off and then on to determine if this is the case. If the problem persists, the device should be sent to a service agent.

6.3 Before You Send the Device for Repairs

Before you send the device to a service agent, you should contact the technical support to ensure that the problem is a result of a fault and is not caused by some other factors.

The repairs should be carried out only by service agents authorised by the manufacturer.

In the table below you will find the procedures that should be followed in a case of a malfunction.

Symptom	Reason	Action
The meter does not switch on with the push-button ON/OFF . While measuring, the symbol Bat ! is displayed.	Battery is discharged.	Make sure that the battery is not discharged. Try charging the battery. If the problem persists send the device to the service agent.
Consecutive results obtained in the same measuring point differ markedly.	Faulty connection in the installation being tested	Find and remove faulty connections.
	Installation with a high level of interference or unstable voltage.	Perform more measurements. Average the results. Use the MENU option: „Expected declension” (see section 3.6.1).
Measurement errors when the device is moved from a cold to a warm and humid environment.	Need for acclimatizing.	Do not use the device until it reaches the ambient temperature (approx. 30 min) and dries out.
The meter shows values close to zero or zero irrespective of the measurement place, and the values deviate considerably from the anticipated values.	Fault in the short circuit loop.	Send the device to a service agent.

7 Power Supply of the Meter

7.1 Power Supply Voltage Monitoring

The battery charge is shown by the indicator located in the upper right corner of the display as shown in figure below.

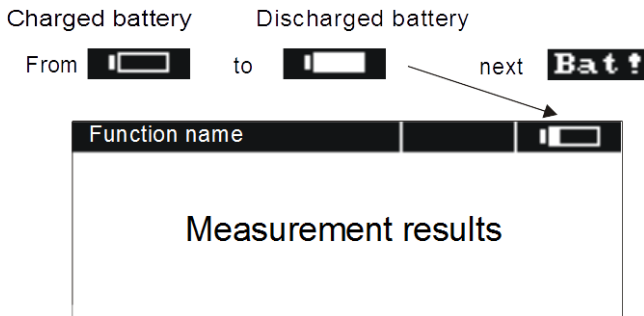


Fig. 33 Battery charge indicator

7.2 Charging battery

Charging commences after connecting the meter to the power supply, regardless of the fact if the meter is switched on or off. Full charging time for completely discharged battery take approx. nine hours.

The charging process is indicated by LED diode:

- steady red light slow blinking: charging in progress,
- steady green light: end of charging,
- flashing - red / green: charging suspended. Cause: battery pack temperature is too low or too high.

7.3 General principles for using Li-Ion rechargeable batteries

- Store the meter with built-in rechargeable battery for a long time with the battery half-charged in a dry, cool and well ventilated place and protect them from direct sunlight. The battery pack may be damaged if stored when fully discharged. The ambient temperature for prolonged storage should be maintained within the range of 5°C...25°C.

- Charge the batteries in a cool, well-ventilated place at a temperature of 10°C ... 28°C. Modern fast chargers detect both too low and too high temperature of rechargeable batteries and react to the situation adequately. Too low temperature should prevent starting the process of charging, which might irreparably damage rechargeable batteries. The increase in temperature of the battery pack may cause electrolyte leakage and even its ignition or explosion.

- Do not exceed the charging current, as it may result in ignition or "swelling" of the battery pack. "Swollen" battery pack must not be used.

- Do not charge or use the batteries in extreme temperatures. Extreme temperatures reduce the lifetime of rechargeable batteries. Always observe the rated operating temperature. Do not dispose the battery pack into fire.

- Li-Ion cells are sensitive to mechanical damage. This kind of damage may cause its permanent damage and thus - ignition or explosion. Any interference in the structure of Li-ion battery pack may cause its damage. This may result in the ignition or explosion. A short-circuit of the battery poles "+" and "-" may permanently damage the battery pack or even cause its fire or explosion.

- Do not immerse Li-Ion battery in liquids and do not store in humid conditions.

- If the electrolyte contained in the Lithium-Ion battery pack, contacts eyes or skin, immediately rinse the affected place with plenty of water and consult a doctor. Protect the battery against unauthorised persons and children.

- When you notice any changes in the Lithium-Ion battery pack (e.g. changes in colour, swelling, excessive temperature), stop using the battery pack. Li-Ion batteries that are mechanically damaged, overcharged or excessively discharged are not suitable for use.

- Any misuse of the battery may cause its permanent damage. This may result in the ignition. The seller and the manufacturer shall not be liable for any damages resulting from improper handling Li-Ion battery pack.

8 Cleaning and maintenance



NOTE!

Use only the maintenance methods presented by the manufacturer in this manual.

Clean the meter casing and the case with a wet cloth, using generally available detergents. Do not use any solvents and cleaning media which could scratch the casing (powder, paste, etc.).

The meter electronic system is maintenance free.

9 Storage

When storing the instrument, observe the following recommendations:

- disconnect all leads from the meter,
- thoroughly clean the meter and all accessories,
- wind long test leads onto the spools,
- during a prolonged storage recharge the batteries from time to time to prevent total discharging.

10 Dismantling and disposal

Used electric and electronic equipment should be collected selectively, i.e. not placed with other types of waste.

Used electronic equipment shall be sent to the collection point according to the Used Electric and Electronic Equipment Act.

Before sending the instrument to the collection point, do not dismantle any parts by yourself. Observe local regulations on disposal of packagings and used batteries.

11 Technical specifications

11.1 Basic data

⇒ Abbreviation "m.v" used in the specification of measurement uncertainty means a standard measured value

Voltage Measurement (True RMS)

	Range	Resolution	Basic uncertainty
MZC-320S	0 V...550 V	1 V	$\pm(2\% \text{ m.v.} + 2 \text{ digits})$
MZC-330S	0 V...750 V	1 V	$\pm(2\% \text{ m.v.} + 2 \text{ digits})$

- Frequency range: DC, 45 Hz...65 Hz
- Input impedance of the voltmeter: $\geq 200 \text{ k}\Omega$

Frequency Measurement (for voltages $\geq 50 \text{ V}$)

Range	Resolution	Basic uncertainty
45.0 Hz...65.0 Hz	0.1 Hz	$\pm(0.1\% \text{ m.v.} + 1 \text{ digit})$

Short-Circuit Loop Parameters Measurement Using High Current (4p, $I_{max}=300\text{ A}$)

Measurement of short-circuit loop impedance Z_s

Measurement range in accordance with IEC 61557.....7.2 m Ω \div 1999 m Ω

Display Range Z_s

Range	Resolution	Basic uncertainty
0.0 m Ω ...199.9 m Ω	0.1 m Ω	$\pm(2\% \text{ m.v.} + 2 \text{ m}\Omega)$
200 m Ω ...1999 m Ω	1 m Ω	

Short-Circuit Resistance R_s and reactance X_s Display Range

Range	Resolution	Basic uncertainty
0.0...199.9 m Ω	0.1 m Ω	$\pm(2\% + 2 \text{ m}\Omega)$ of Z_s value
200...1999 m Ω	1 m Ω	

Short-Circuit Current Readings I_k

Measurement range in accordance with IEC 61557:

for $U_n = 115\text{ V}$ 57,5 A \div 15,9 kA

for $U_n = 230\text{ V}$115,0 A \div 32,9 kA

for $U_n = 400\text{ V}$200 A \div 55,5 kA

for $U_n = 500\text{ V}$250 A \div 69,4 kA

for $U_n = 690\text{ V}$345 A \div 95,8 kA (only MZC-330S)

Display Range I_k

Range	Resolution	Basic uncertainty
115.0 A...199.9A	0.1 A	Calculated from the short-circuit error
200 A...1999 A	1 A	
2.00 kA...19.99 kA	0.01 kA	
20.0 kA...199.9 kA	0.1 kA	
200 kA...*	1 kA	

* max. 500 kA for MZC-320S or max. 690 kA for MZC-330S

- Prospective fault current calculated and displayed by the meter may slightly differ from the value calculated by the user with a calculator, basing on the displayed value of the impedance, because the meter calculates the current from unrounded value of fault loop impedance (which is used for displaying). As the correct value, consider I_k current value, displayed by the meter or by firmware.

Touch Voltage Measurement U_{ST} (shock voltage U_T)

Range	Resolution	Basic uncertainty
0 V...100 V	1 V	$\pm(10\% \text{ m.v.} + 2 \text{ digits})$

- For U_T – resistor simulating electrical resistance of the human body – 1k Ω

Measurement of Short-Circuit Loop Using Standard Current (2p)

Measurement of short-circuit loop impedance Z_s

Measurement range in accordance with IEC 61557

Test Lead	Measurement Range Z_s
1.2 m	0.13 Ω ...199.9 Ω
5 m	0.15 Ω ...199.9 Ω
10 m	0.19 Ω ...199.9 Ω
20 m	0.25 Ω ...199.9 Ω

Display range Z_s

Range	Resolution	Basic uncertainty
0.00 Ω ...19.99 Ω	0.01 Ω	$\pm(2\% \text{ m.v.} + 3 \text{ digits})$
20.0 Ω ...199.9 Ω	0.1 Ω	$\pm(3\% \text{ m.v.} + 3 \text{ digits})$

Short-Circuit Resistance R_s and reactance X_s Display Range

Range	Resolution	Basic uncertainty
0.00 Ω ...19.99 Ω	0.01 Ω	$\pm(2\% \text{ m.v.} + 3 \text{ digits})$ impedance reading for a particular measurement
20.0 Ω ...199.9 Ω	0.1 Ω	$\pm(3\% \text{ m.v.} + 3 \text{ digits})$ impedance reading for a particular measurement

Short-Circuit Current Readings I_k

Measurement ranges in accordance with IEC 61557

Test Lead	Measurement Range I_k dla $U_n = 230 \text{ V}$	Measurement Range I_k dla $U_n = 400 \text{ V}$
1.2 m	1.150 A...1849 A	2.00 A ...3,21 kA
5 m	1.150 A...1539 A	2.00 A ...2,67 kA
10 m	1.150 A...1262 A	2.00 A ...2,19 kA
20 m	1.150 A...924 A	2.00 A ...1607 A

- Prospective fault current calculated and displayed by the meter may slightly differ from the value calculated by the user with a calculator, basing on the displayed value of the impedance, because the meter calculates the current from unrounded value of fault loop impedance (which is used for displaying). As the correct value, consider I_k current value, displayed by the meter or by firmware.

Display ranges

Display Range	Resolution	Basic uncertainty
1.150 A...1.999 A	0.001 A	Calculated from the short-circuit error
2.00 A...19.99 A	0.01 A	
20.0 A...199.9 A	0.1 A	
200 A...1999 A	1 A	
2.00 kA...19.99 kA	0.01 kA	
20.0 kA...40.0 kA	0.1 kA	

Working Conditions

- Rated voltage of tested circuits U_n :
Phase voltage 110 V, 115 V, 127 V, 220 V, 230 V, 240 V, 290 V or 400 V (only MZC-330S)
Phase-to-phase voltage.....190 V, 200 V, 220 V, 380 V, 400 V, 415 V, 500 V or 690 V (only MZC-330S)
- Voltage range for loop testing90 V...550 V (90 V...750 V for MZC-330S)
- Rated frequency of tested circuits..... 50 Hz and 60 Hz (45 Hz...65 Hz)

Maximum test current (2p)

- for 230 V 24 A (10 ms)
- for 400 V 21 A (10 ms)
- for 500 V 27 A (10 ms)
- for 690 V 37 A (10 ms)

Maximum test current (4p)

- for 230 V 130 A (20 ms)
- for 400 V 220 A (20 ms)
- for 500 V 280 A (20 ms)
- for 690 V (only MZC-330S) 280 A (20 ms)

Other technical data

- a) Insulation class double insulation – complying with EN 61010-1 and EN 61557
- b) Metrological category IV 600 V EN 61010-1 compliant
- c) Housing protection class as per EN 60529 IP67 with closed case, IP20 with open case
- d) Meter power supply built-in Li-Ion rechargeable battery 7.2 V 8.8 Ah
- e) Dimensions 390 mm x 308 mm x 172 mm
- f) Weight ca. 6.5 kg
- g) Storage temperature -20°C...+60°C
- h) Operating temperature -10°C...+40°C
- i) Humidity 20%...90%
- j) Rated temperature +23°C ± 2°C
- k) Reference humidity 40%...60%
- l) Altitude (above sea level) <2000 m
- m) Time before automatic shutdown 10 min.
- n) Number of short-circuit loop measurements min. 4000 (2 measurements/min.)
- o) Display graphical LCD 192 x 64 dots
- p) Quality standard development, design and manufacturing to ISO 9001 compliant
- q) The instrument meets the requirement of the IEC 61557 standard
- r) The product meets EMC requirements (immunity for industrial environment) according to the following standards EN 61326-1 and EN 61326-2-2



EN 55022 Compliance statement

MZC-320S and MZC-330S are class A products. In a domestic environment these products may cause radio interference in which case the user may be required to take adequate measures (e.g. increasing the distance between affected products).

11.2 Additional data

Data on additional uncertainties are useful mainly when the meter is used in non-standard conditions and for metrological laboratories for the purpose of calibration.

11.2.1 Additional uncertainties according to IEC 61557-3 (Z)

Significant parameter	Designation	Additional uncertainty
Position	E ₁	0%
Supply voltage	E ₂	0% (BAT is not lit)
Temperature 0°C...35°C	E ₃	1.2 m lead – 0 Ω 5 m lead – 0.011 Ω 10 m lead – 0.019 Ω 20 m lead – 0.035 Ω WS-01 lead, WS-05 – 0.015 Ω
Phase angle 0°...30° at the bottom of test range	E _{6.2}	0.6%
Frequency 99%..101%	E ₇	0%
Network voltage 85%..110%	E ₈	0%
Harmonic	E ₉	0%
DC component	E ₁₀	0%

12 Accessories

12.1 Standard accessories

The device is supplied in a kit that contains:

- MZC-320S meter – **WMGBMZC320** or MZC-330S – **WMGBMZC330**
- Set of measuring conductors:
 - Test lead 1.2 m, black, 1 kV (banana plugs) – **WAPRZ1X2BLBB**
 - Test lead 1.2 m, yellow, 1 kV (banana plugs) – **WAPRZ1X2YEBB**
 - Pin probe, black 1 kV (banana socket) – **WASONBLOGB1**
 - Pin probe, yellow 1 kV (banana socket) – **WASONYEOGB1**
 - Double-wire test lead 3 m (10 A/25 A) U1 / I1 – **WAPRZ003DZBBU111**
 - Double-wire test lead 3 m (10 A/25 A) U2 / I2 – **WAPRZ003DZBBU212**
 - Crocodile clip, black, 1 kV, 32 A (4 pcs.) – **WAKROBL30K03**
 - Kelvin clamp, 1 kV, 25 A (2 pcs.) – **WAKROKELK06**
 - High-current pin probe 1 kV (banana sockets) (2 pcs.) – **WASONSPGB1**
- Power supply adaptor for charging batteries Z19 – **WAZASZ19**
- Carrying case L14 for the accessories – **WAFUTL14**
- USB cable – **WAPRZUSB**
- User manual
- Calibration certificate issued by an accredited laboratory
- PC software: Sonel Reader – **WAPROREADER**



In order to measure touch voltage use the 20 m cable included among the accessories.

12.2 Optional accessories

Additional accessories that are not a part of the standard kit can be purchased from the manufacturer or from suppliers:

- Yellow test leads with pin plugs for measurements of loop impedance by means of the bipolar method (2 pcs):
 - Length: 5 m – **WAPRZ005YEBB**
 - Length: 10 m – **WAPRZ010YEBB**
 - Length: 20 m – **WAPRZ020YEBB**
- 6-m two-wire cable with pin plugs – **WAPRZ006DZBBU111**
- 6-m two-wire cable with pin plugs – **WAPRZ006DZBBU212**
- L4 carrying case – **WAFUTL4**

13 Manufacturer

The manufacturer of the device provides all warranty and after-warranty repairs:

SONEL S.A.
Wokulskiego 11
58-100 Świdnica
Poland
tel. +48 74 858 38 60
fax +48 74 858 38 09
E-mail: export@sonel.pl
Web page: www.sonel.pl



Only the manufacturer is authorized to carry out service repairs.

14 Laboratory services

SONEL Testing and Calibration Laboratory has been accredited by the Polish Center for Accreditation (PCA) - certificate no. AP 173.

Laboratory offers calibration for the following instruments that are used for measuring electrical and non-electrical parameters.



● METERS FOR MEASUREMENTS OF ELECTRICAL PARAMETERS

- voltage meters,
- current meters (including clamp meters),
- resistance meters,
- insulation resistance meters,
- earth resistance and resistivity meters,
- RCD meters,
- short-circuit loop impedance meters,
- power quality analyzers,
- portable appliance testers (PAT),
- power meters,
- active and passive electric energy meters,
- multimeters,
- multifunction meters covering the functions of the above-mentioned instruments,

● ELECTRICAL STANDARDS

- calibrators,
- resistance standards,

● METERS FOR MEASUREMENTS OF NON-ELECTRICAL PARAMETERS

- pyrometers,
- thermal imagers,
- luxmeters.

The **Calibration Certificate** is a document that presents a relation between the calibration standard of known accuracy and meter indications with associated measurement uncertainties. The calibration standards are normally traceable to the national standard held by the National Metrological Institute.

According to ILAC-G24 „Guidelines for determination of calibration intervals of measuring instruments”, SONEL S.A. recommends periodical metrological inspection of the instruments it manufactures no less frequently than once every **12 months**.

For new instruments provided with the Calibration Certificate or Validation Certificate at the factory, re-calibration should be performed within **12 months** from the date of purchase, however, no later than **24 months** from the date of purchase.



ATTENTION !

The person performing the measurements should be absolutely sure about the efficiency of the device being used. Measurements made with an inefficient meter can contribute to an incorrect assessment of the effectiveness of health protection and even human life.

NOTES



SONEL S.A.
Wokulskiego 11
58-100 Świdnica
Poland



+48 74 858 38 60
+48 74 858 38 00
fax +48 74 858 38 09

e-mail: export@sonel.pl
www.sonel.pl